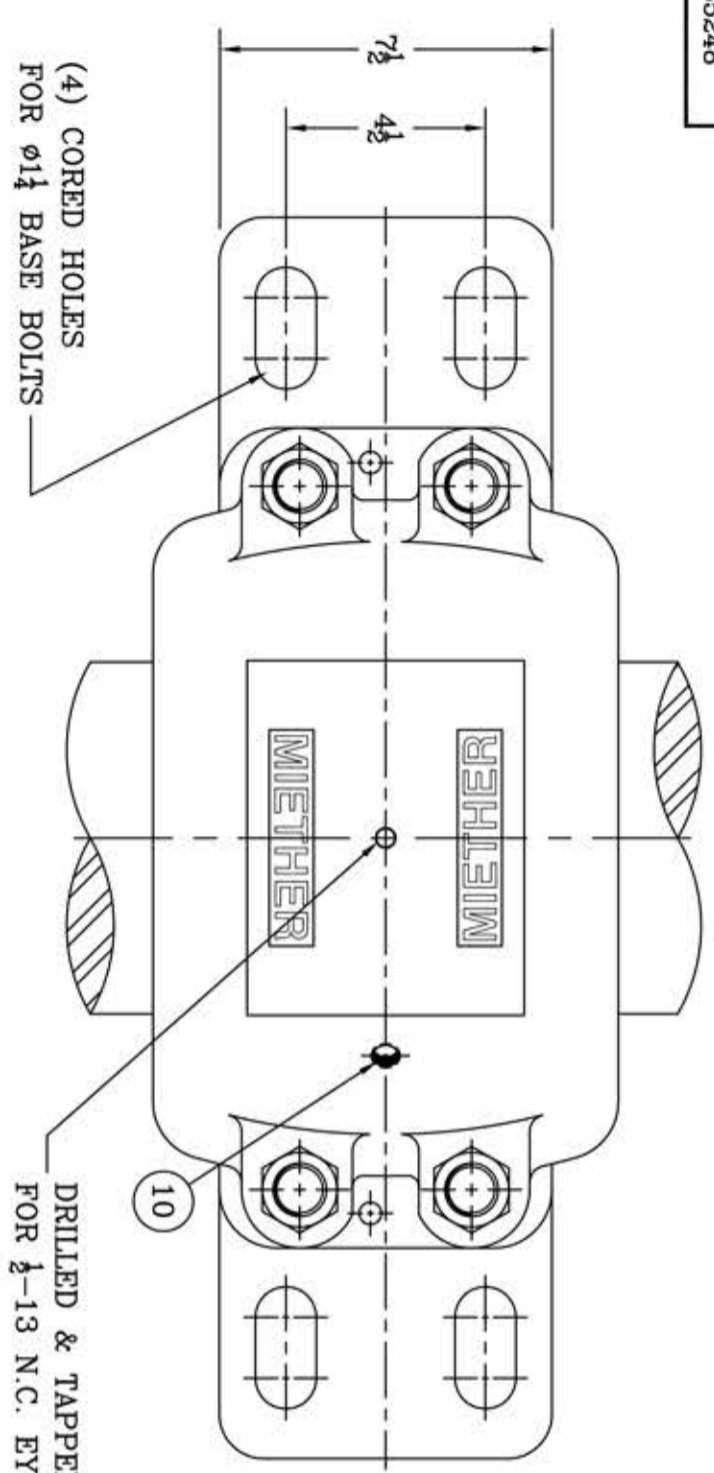
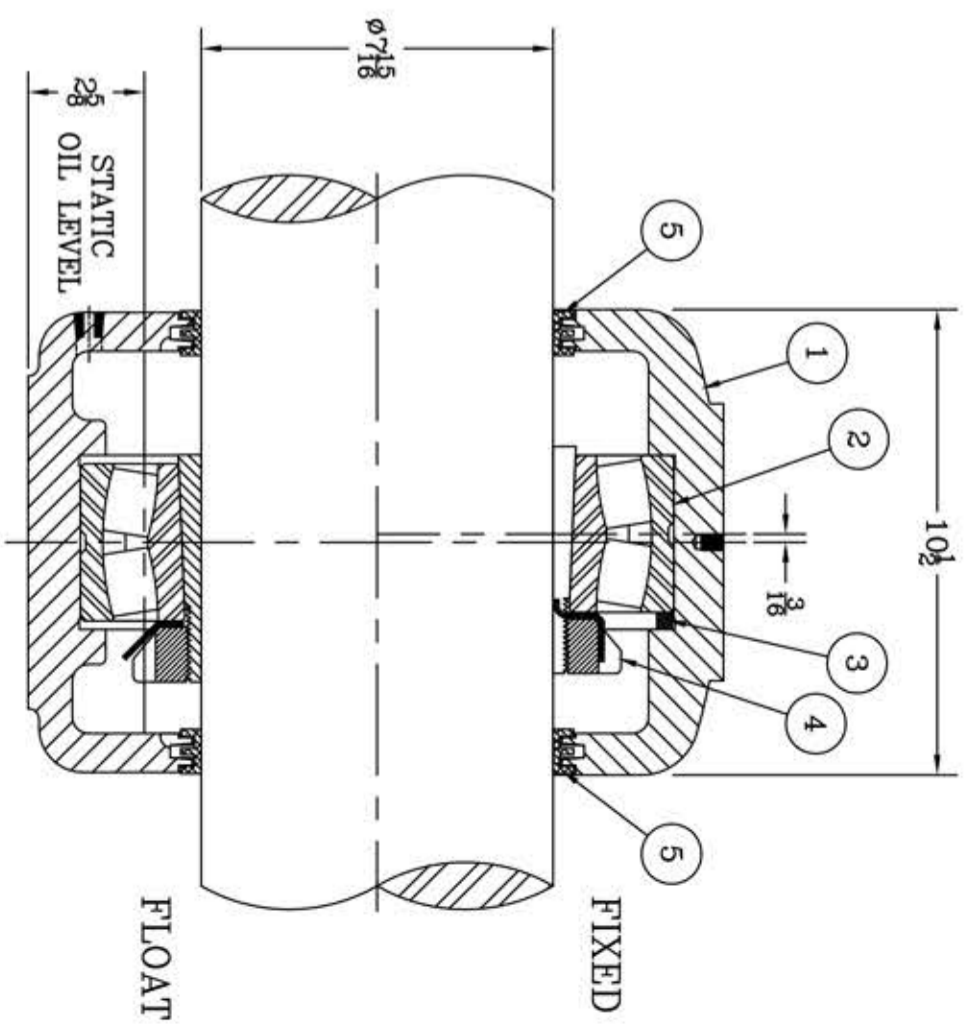
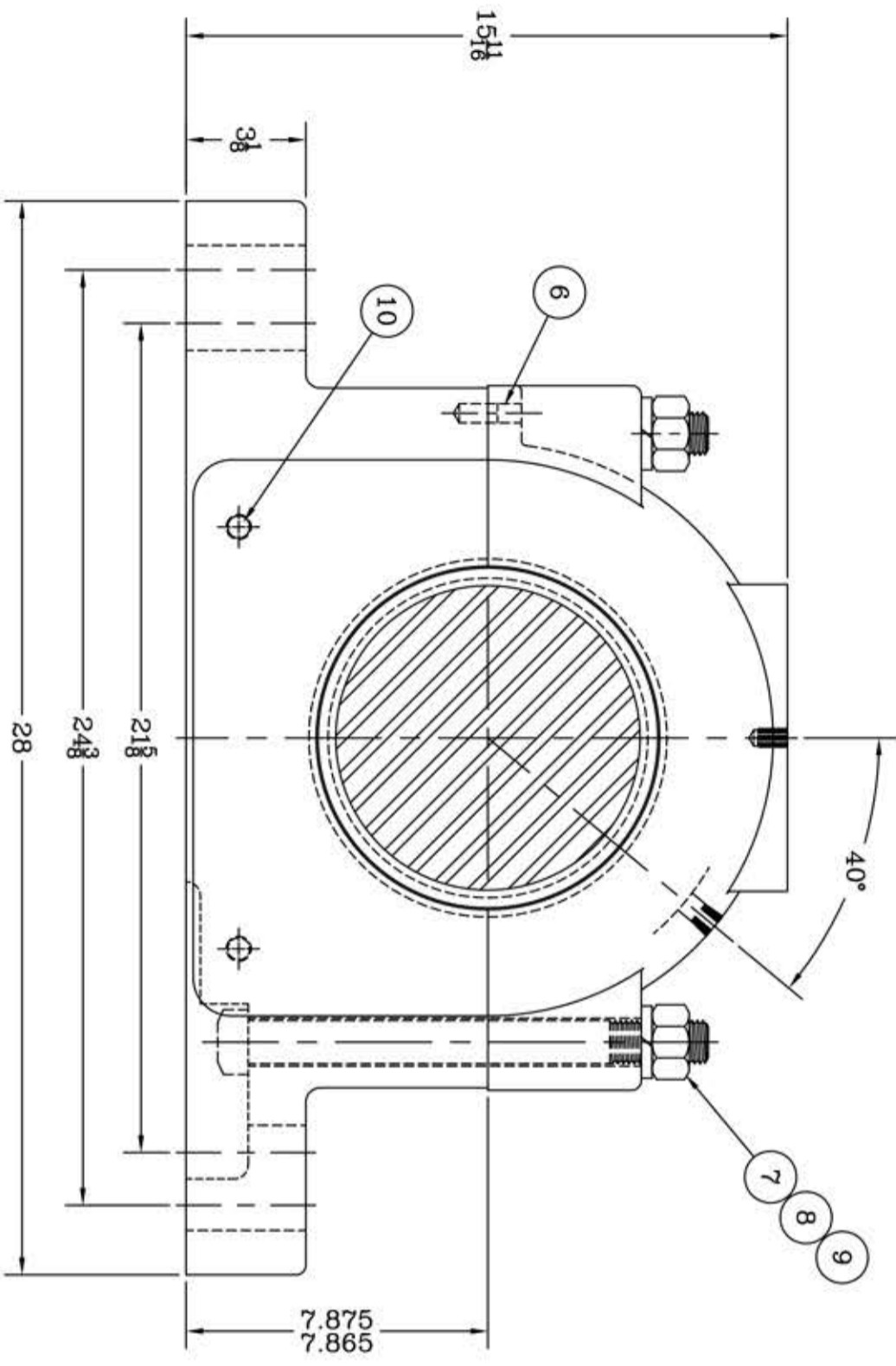


This drawing is the sole property of Miether Bearing Products and contains confidential and proprietary information. It is being provided to you for your use and may not be disclosed to any third party or used for any other purpose without Miether's prior written consent. The [materials] must be returned to the Company upon its demand. Your acceptance of these materials constitutes your acceptance of the foregoing terms.

C-35248



ITEM	DESCRIPTION	DETAIL	REQUIRED
1	HOUSING SAFD 044 K 07-15	C-	1 1
2	SPHERICAL ROLLER BEARING	23044K/W-33	1 1
3	STABILIZING RING SR-38-32	A-10555	1 0
4	ADAPTER SNW-3044 07-15	24503	1 1
5	TRIPLE SEAL RING LER-167	A-10591	2 2
6	DOWEL	$\phi 1/2$ x 1" LONG	2 2
7	CAP BOLT SQUARE HEAD GR.5	$1 1/8$ -7 NC x $1 1/2$ LONG	4 4
8	CAP BOLT HEX. NUT	$1 1/8$ -7 NC	4 4
9	LOCKWASHER	$1 1/8$ SPLIT MED.	4 4
10	PIPE PLUG	$3/8$ -18 NPT	3 3



REVISIONS	
SYMBOL	DESCRIPTION
✓	16
✓	32
✓	63
✓	125
✓	250
✓	500
✓	1000

TOLERANCE: UNLESS OTHERWISE SPECIFIED  
 FRACTIONS  $\pm 1/32$ " ANGLES  $\pm 0^\circ 30'$   
 DECIMALS  $\pm .005$  WELD  $\pm 1/16$ "  
 CASTING  $\pm 1/16$ "

A.I.S.I. STANDARD FINISHES  
 MICRO-INCH VALUE

SAFD 23044 K 07-15  
 ASSEMBLY DRAWING  
 SCALE 1 = 3  
 DRAWN PCF  
 DATE 1/4/13  
 CHECK:

AN ALCO INDUSTRIES COMPANY  
 BEARING PRODUCTS  
 ODESSA, TX. USA

ASSEMBLY NO.  
 DRAWING NO. C-35248